

GARLOCK KLOZURE®

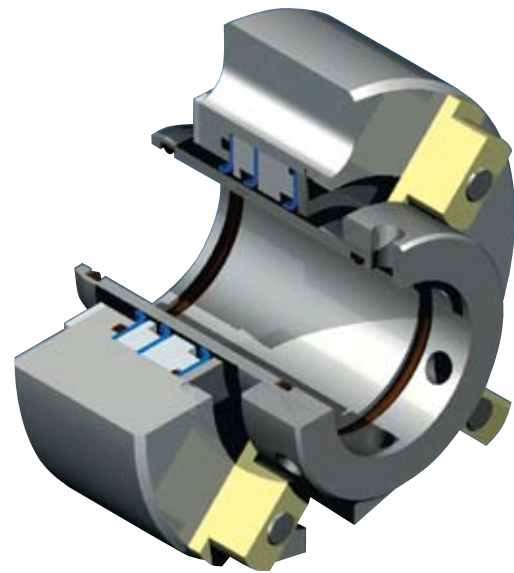
P/S®-II SEALS FOR VIKING® PUMPS*With flexible GYLON® elements***Benefits**

- ▶ Unique multi-lip cartridge seal is easy to install
- ▶ Wet or dry operation
- ▶ GYLON® sealing elements allow versatile environmental capability
- ▶ Anti-stick sealing components are non-clogging in viscous fluids
- ▶ One moving part, no springs to clog
- ▶ Rebuild kit available for easy in-field repair

Design Parameters

- ▶ Pressure: To 150 psi (10 bar)
- ▶ Vacuum: 28" (711 mm) Hg with proper design
- ▶ Temperature: To 300°F (148.8°C); Over 300°F, consult KLOZURE Mechanical Seals
- ▶ Surface speed: To 700 fpm (3.5 m/s) dry; to 2,500 fpm (12.7 m/s) with lubrication
- ▶ Runout: Up to 0.005" (0.13 mm) TIR
- ▶ Axial motion: ± 0.125 " (3.2 mm)

Contact KLOZURE for additional performance and installation data.

**Materials**

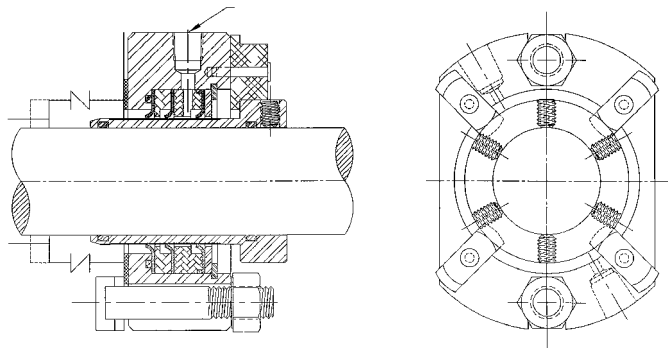
- ▶ Metallurgy: 316SS (other materials available)
- ▶ Set screws: Hastelloy C*
- ▶ O-rings: Fluoroelastomer standard (other materials optional)
- ▶ Seal elements: GYLON®
- ▶ Sleeve coating: Chrome oxide standard (other coatings optional)

GYLON® is a registered trademark of Garlock Inc.
 VIKING® is a registered trademark of Viking Pump, Inc.
 * Hastelloy C is a registered trademark of Haynes International.

GARLOCK KLOZURE®

3-lip Design with Quench Options

Standard and universal bracket designs available



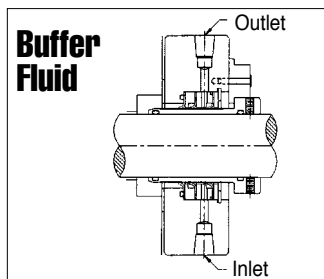
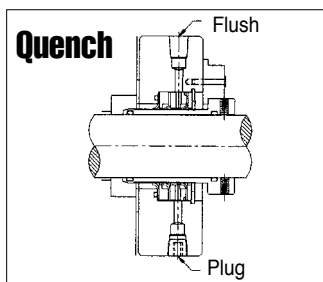
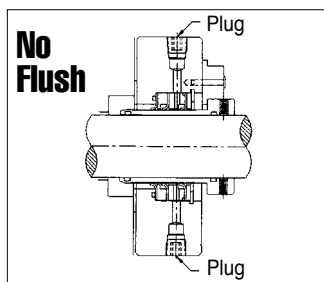
Viking Models

- ▶ G
- ▶ LL
- ▶ P
- ▶ H
- ▶ LQ
- ▶ Q
- ▶ HL
- ▶ LS
- ▶ QR
- ▶ K
- ▶ M
- ▶ QS
- ▶ KK
- ▶ N
- ▶ R
- ▶ L

FOR MORE INFORMATION,
CONTACT YOUR CUSTOMER
SATISFACTION SPECIALIST

1.866.KLOZURE (1.866.556.9873)
FAX 1.866.OILSEAL (1.866.645.7325)

Environmental Control Options



AUTHORIZED DISTRIBUTOR

WARNING:

Properties/applications shown throughout this brochure are typical. Your specific application should not be undertaken without independent study and evaluation for suitability. For specific application recommendations consult Garlock. Failure to select the proper sealing products could result in property damage and/or serious personal injury.

Performance data published in this brochure has been developed from field testing, customer field reports and/or in-house testing.

While the utmost care has been used in compiling this brochure, we assume no responsibility for errors. Specifications subject to change without notice. This edition cancels all previous issues. Subject to change without notice.

GARLOCK is a registered trademark for packings, seals, gaskets, and other products of Garlock.

© Garlock Inc 2007. All rights reserved worldwide.

Garlock KLOZURE®

A Division of Garlock Sealing Technologies®
1666 Division Street
Palmyra, New York 14522 USA
1.315.597.4811
Fax 1.315.597.3140
Toll Free 1.866.KLOZURE (1.866.556.9873)
Toll Free Fax: 1.866.OILSEAL (1.866.645.7325)

Visit Klozure:
www.klozure.com

Other Garlock brand facilities are located in:

Columbia, SC, USA	1-803-783-1880	Fax: 1-803-783-4279
Houston, TX, USA	1-281-459-7200	Fax: 1-281-458-0502
Sydney, Australia	61-2-9793-2511	Fax: 61-2-9793-2544
São Paulo, Brazil	55-11-4352-6161	Fax: 55-11-4352-8181
Sherbrooke, Canada	1-819-563-8080	Fax: 1-819-563-5620
West Yorkshire, England	44-1422-313600	Fax: 44-1422-313601
Saint-Étienne, France	33-4-7743-5100	Fax: 33-4-7743-5151
Neuss, Germany	49-2131-3490	Fax: 49-2131-349-222
Mexico City, Mexico	52-555-567-7011	Fax: 52-555-368-0418
Shanghai	86-021-62789702	Fax: 86-021-62787826
Singapore	65-6285-9322	Fax: 65-6284-5843
Dubai, UAE	971-4-8833652	Fax: 971-4-8833682

PRINTED IN U.S.A.

KLZ 2:69

GPS-3/05-Rev B

Bring KLOZURE® to all your sealing requirements



Garlock Sealing Technologies® is
an EnPro Industries company.

