

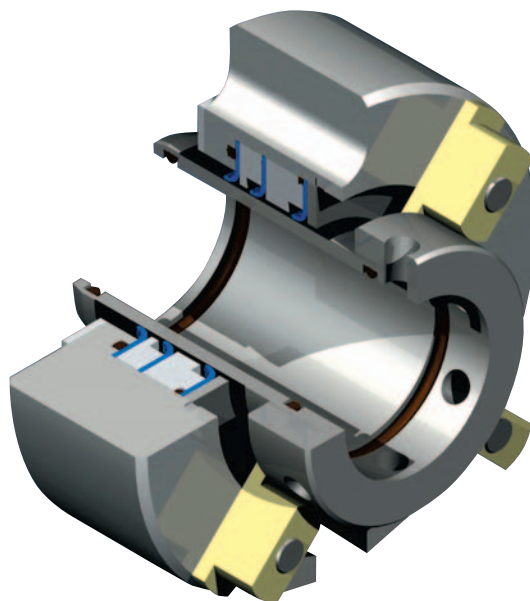
GARLOCK KLOZURE® HIGH-PERFORMANCE DYNAMIC SEALS

P/S®-II FLEXIBLE GYLON® ELEMENT CARTRIDGE SEAL

Effectively seals dense and viscous fluids

Benefits

- ▶ GYLON® sealing elements
 - Are non-clogging/non-sticking in viscous fluids
 - Offer excellent chemical resistance and dry running capability
- ▶ Unique multi-lip cartridge design
 - Is unaffected by axial end play, intermittent operation or torque
 - Permits pump reversal
- ▶ Machined gland is very versatile; designed to fit the equipment
- ▶ Hard coated sleeve prevents damage to equipment
- ▶ Rebuild kit available for easy in-field repair
- ▶ One moving part, no springs to clog



Ideal for

- ▶ Positive displacement pumps:
 - Viking
 - Roper
 - Moyno
 - Tuthill
 - Blackmer
 - Many others
- ▶ Centrifugal pumps:
 - Durco
 - Goulds
 - Many others
- ▶ Mixers
- ▶ Conveyors
- ▶ Rotary valves

Typical Applications

- ▶ Adhesive
- ▶ AFFF
- ▶ Asphalt
- ▶ Chocolate
- ▶ Emulsions
- ▶ Fats
- ▶ Fructose
- ▶ Fuels
- ▶ Glue
- ▶ Ink
- ▶ Latex
- ▶ Molasses
- ▶ Oil
- ▶ Paints
- ▶ Paper coatings
- ▶ Polymer resins
- ▶ Sealants
- ▶ Soaps
- ▶ Starch
- ▶ Syrups
- ▶ Tallow
- ▶ Tar
- ▶ Varnish
- ▶ Wax

GYLON® and P/S® are registered trademarks of Garlock Inc.

Garlock Klozure®
HIGH-PERFORMANCE DYNAMIC SEALS

an EnPro Industries company

KLOZURE® DYNAMIC SEALS

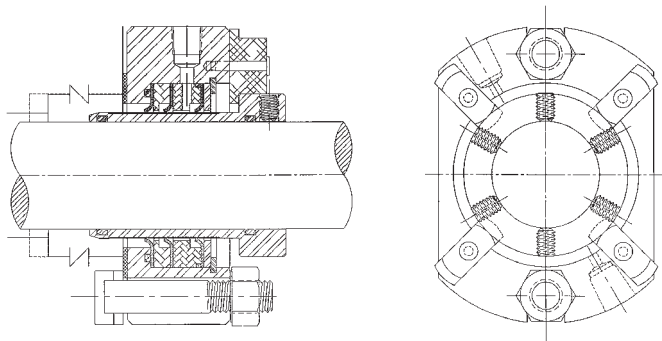
Design Parameters

- ▶ Pressure: To 150 psi (10 bar)
- ▶ Vacuum: 28" (711 mm) Hg with proper design
- ▶ Temperature: To 300°F (148.8°C); Over 300°F, consult KLOZURE Mechanical Seals
- ▶ Surface speed: To 700 fpm (3.5 m/s) dry; to 2,500 fpm (12.7 m/s) with lubrication
- ▶ Runout: Up to 0.005" (0.13 mm) TIR
- ▶ Axial motion: ± 0.125" (3.2 mm)

* Hastelloy C is a registered trademark of Haynes International. Other material available. Consult KLOZURE.

Standard 3-lip Design with Quench Ports

Round, elliptical and other special gland configurations available



Materials

- ▶ Metal parts: 316SS (other materials available)
- ▶ Set screws: Hastelloy C*
- ▶ O-rings: Fluoroelastomer standard (other materials optional)
- ▶ Sealing elements: GYLON®
- ▶ Sleeve coating: Chrome oxide standard (other coatings optional)



ISO 9001:2000
Cert. #001762

AUTHORIZED DISTRIBUTOR

FOR MORE INFORMATION,
CONTACT YOUR CUSTOMER
SATISFACTION SPECIALIST

1.866.KLOZURE (1.866.556.9873)
FAX 1.866.OILSEAL (1.866.645.7325)

WARNING:

Properties/applications shown throughout this brochure are typical. Your specific application should not be undertaken without independent study and evaluation for suitability. For specific application recommendations consult Garlock. Failure to select the proper sealing products could result in property damage and/or serious personal injury.

Performance data published in this brochure has been developed from field testing, customer field reports and/or in-house testing.

While the utmost care has been used in compiling this brochure, we assume no responsibility for errors. Specifications subject to change without notice. This edition cancels all previous issues. Subject to change without notice.

GARLOCK is a registered trademark for packings, seals, gaskets, and other products of Garlock.

© Garlock Inc 2005. All rights reserved worldwide.

Garlock KLOZURE®

A Division of Garlock Sealing Technologies®

1666 Division Street

Palmyra, New York 14522 USA

1.315.597.4811

Fax 1.315.597.3140

Toll Free 1.866.KLOZURE (1.866.556.9873)

Toll Free Fax: 1.866.OILSEAL (1.866.645.7325)

Visit Klozure:

Other Garlock brand facilities are located in:

Columbia, SC, USA	1-803-783-1880	Fax: 1-803-783-4279
Houston, TX, USA	1-281-459-7200	Fax: 1-281-458-0502
Sydney, Australia	61-2-9793-2511	Fax: 61-2-9793-2544
São Paulo, Brazil	55-11-4352-6161	Fax: 55-11-4352-8181
Sherbrooke, Canada	1-819-563-8080	Fax: 1-819-563-5620
West Yorkshire, England	44-1422-313600	Fax: 44-1422-313601
Saint-Étienne, France	33-4-7743-5100	Fax: 33-4-7743-5151
Neuss, Germany	49-2131-3490	Fax: 49-2131-349-222
Mexico City, Mexico	52-555-567-7011	Fax: 52-555-368-0418
Shanghai	86-021-62789702	Fax: 86-021-62787826
Singapore	65-6285-9322	Fax: 65-6284-5843
Dubai, UAE	971-4-8833652	Fax: 971-4-8833682

PRINTED IN U.S.A.

KLZ 2:67

GPS-3/05-Rev B



Garlock Sealing Technologies® is
an EnPro Industries company.

Bring KLOZURE® to all your sealing requirements

