

GARLOCK KLOZURE® HIGH PERFORMANCE DYNAMIC SEALS

GMP-II DOUBLE CARTRIDGE SEAL

High-quality, cost effective balanced seal

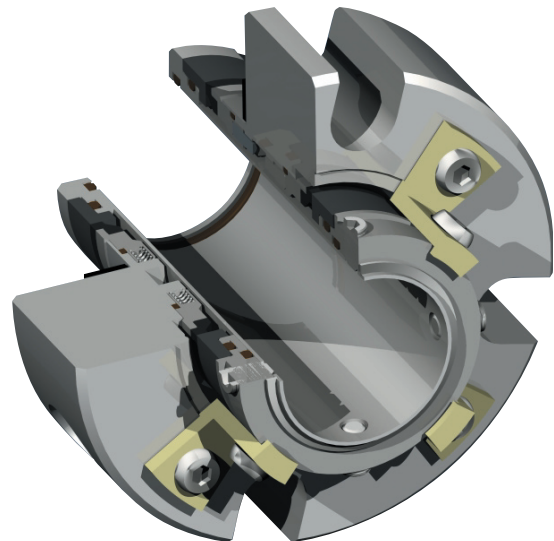
The GMP-II double balanced cartridge seal incorporates a compact design with proven sealing technology. The result is a high-quality, cost-effective seal designed for use on a wide variety of rotary equipment applications.

Benefits

- ▶ Easy-to-install double cartridge design
- ▶ Balanced configuration runs cooler and lasts longer
- ▶ Cost-effective rebuild kits for easy in-field repair and reduced downtime
- ▶ Fits standard ANSI pumps—no modification required
- ▶ Stationary compression units offer improved face alignment and extended seal life
- ▶ Minimal distance to first obstruction; fits a wide range of pumps

Design Parameters

- ▶ Pressure: To 300 psi (20 bar)
- ▶ Vacuum: 28" (711 mm) Hg
- ▶ Temperature: To 400°F (204°C)
- ▶ Surface speed: To 5,000 fpm (25.4 m/s)
- ▶ Runout: Consult KLOZURE
- ▶ Axial motion: Consult KLOZURE



Materials

- ▶ Metallurgy: 316SS and Alloy 20
- ▶ Rotary faces: Silicon carbide (SA)
- ▶ Stationary faces: Inboard: chemical grade carbon; tungsten carbide; Outboard: chemical grade carbon
- ▶ Springs: Hastelloy C[‡]
- ▶ O-rings: Fluoroelastomer standard, Aflas or Kalrez offered as alternative

Other material available. Consult KLOZURE.

* Aflas is a trademark of Asahi Glass Company.

† Kalrez is a registered trademark of DuPont.

‡ Hastelloy C is a registered trademark of Haynes International.

Garlock Klozure®
HIGH-PERFORMANCE DYNAMIC SEALS

an EnPro Industries company

GARLOCK KLOZURE® HIGH PERFORMANCE DYNAMIC SEALS

Other Versatile Seals

GMP-I Single Balanced Cartridge Seal

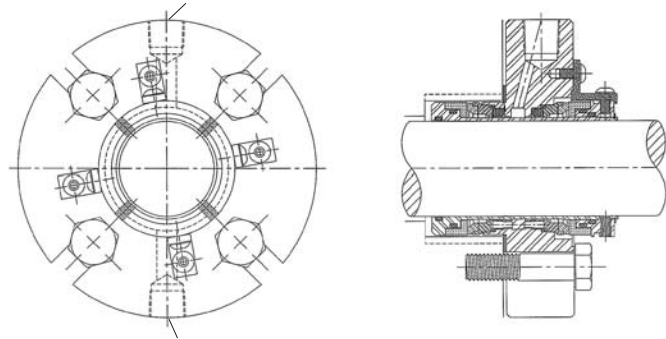
- Ideal for wide range of rotary equipment
- Fits all standard ANSI pumps
- Compact design, easy to install and repair
- Balanced configuration runs cooler

P/S®-II Flexible Element Cartridge Seal

- Effectively seals dense and viscous fluids
- GYLON® sealing elements are chemically resistant and allow dry running
- Easy in-field repair reduces costly downtime

P/S® and GYLON® are registered trademarks of Garlock.

Standard Configuration



ISO 9001:2000
Cert. #001762

FOR MORE INFORMATION,
CONTACT YOUR CUSTOMER
SATISFACTION SPECIALIST

1.866.KLOZURE (1.866.556.9873)
FAX 1.866.OILSEAL (1.866.645.7325)

A U T H O R I Z E D D I S T R I B U T O R

WARNING:

Properties/applications shown throughout this brochure are typical. Your specific application should not be undertaken without independent study and evaluation for suitability. For specific application recommendations consult Garlock. Failure to select the proper sealing products could result in property damage and/or serious personal injury.

Performance data published in this brochure has been developed from field testing, customer field reports and/or in-house testing.

While the utmost care has been used in compiling this brochure, we assume no responsibility for errors. Specifications subject to change without notice. This edition cancels all previous issues. Subject to change without notice.

GARLOCK is a registered trademark for packings, seals, gaskets, and other products of Garlock.

© Garlock Inc 2005. All rights reserved worldwide.

Garlock KLOZURE®

A Division of Garlock Sealing Technologies®

1666 Division Street

Palmyra, New York 14522 USA

1.315.597.4811

Fax 1.315.597.3140

Toll Free 1.866.KLOZURE (1.866.556.9873)

Toll Free Fax: 1.866.OILSEAL (1.866.645.7325)

Visit Klozure:

www.klozure.com

Other Garlock brand facilities are located in:

Columbia, SC, USA	1-803-783-1880	Fax: 1-803-783-4279
Houston, TX, USA	1-281-459-7200	Fax: 1-281-458-0502
Sydney, Australia	61-2-9793-2511	Fax: 61-2-9793-2544
São Paulo, Brazil	55-11-4352-6161	Fax: 55-11-4352-8181
Sherbrooke, Canada	1-819-563-8080	Fax: 1-819-563-5620
West Yorkshire, England	44-1422-313600	Fax: 44-1422-313601
Saint-Étienne, France	33-4-7743-5100	Fax: 33-4-7743-5151
Neuss, Germany	49-2131-3490	Fax: 49-2131-349-222
Mexico City, Mexico	52-555-567-7011	Fax: 52-555-368-0418
Shanghai	86-021-62789702	Fax: 86-021-62787826
Singapore	65-6285-9322	Fax: 65-6284-5843
Dubai, UAE	971-4-8833652	Fax: 971-4-8833682

PRINTED IN U.S.A.

KLZ 2:71

GPS-3/05 Rev B

Bring KLOZURE® to all your sealing requirements



Garlock Sealing Technologies® is
an EnPro Industries company.

